



⚠ WARNING	⚠ ADVERTENCIA
 <p>Young children can STRANGLE in cord and bead chain loops. They can also wrap cords around their necks and STRANGLE.</p> <ul style="list-style-type: none"> Always keep cords and bead chains out of children's reach. Move cribs, playpens, and other furniture away from cords and bead chains. Children can climb furniture to get to cords. Attach tension device to wall or floor. This can prevent children from pulling cords and bead chains around their necks. 	 <p>Los niños pequeños corren el riesgo de ESTRANGULARSE en los lazos de las cuerdas y cadenas. También se pueden envolver las cuerdas alrededor del cuello y ESTRANGULARSE.</p> <ul style="list-style-type: none"> Mantenga siempre las cuerdas y cadenas fuera del alcance de los niños. Mueva las cunas, los corrales y otros muebles lejos de las cuerdas y cadenas. Los niños pueden subirse a los muebles para llegar a las cuerdas. Coloque el dispositivo tensor en la pared o en el piso. Ello puede evitar que los niños estiren las cuerdas y cadenas, colocándoselas alrededor del cuello.

⚠ WARNING

⚠ ADVERTENCIA



This product contains accessible cords on the back. Accessible cords on the back of Roman Style shades can be pulled out to form a loop, which can STRANGLE a young child.

- Children can climb furniture to access lift cords. Move cribs, playpens, and other furniture away from window coverings.



Este producto contiene cordones de fácil acceso en la parte trasera. Los cordones de fácil acceso de la parte trasera de las persianas romanas pueden sacarse y formar un lazo, con el cual un niño pequeño puede ESTRANGULARSE.

- Los niños pueden treparse a los muebles y alcanzar los cordones de elevación. Mantenga cunas, corrales y otro tipo de muebles alejados de las coberturas de ventanas.

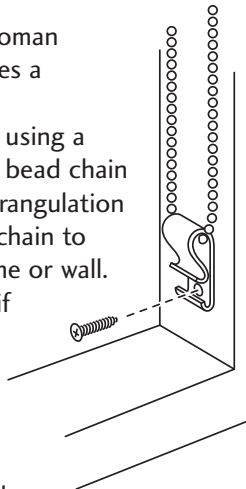
⚠ WARNING

⚠ ADVERTENCIA

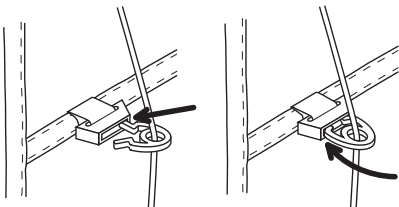
CORD SAFETY: The cords on your Roman Shade can form a standing loop that poses a strangulation hazard.

Your Roman Shade is lifted and lowered using a continuous bead chain. If unsecured, this bead chain is a free standing loop that can pose a strangulation hazard. A device is attached to the bead chain to secure the bead chain to the window frame or wall.

If there is no cord tensioning device or if you are unable to mount the cord tensioning device as illustrated please do not mount the shade. Contact Green Mountain Vista for further instructions.



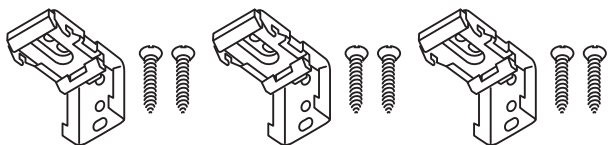
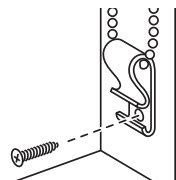
BREAK AWAY RINGS: The rear cords on your Roman Shade are equipped with guide rings that will break away from the body of the shade if excessive force is applied. The purpose of these break away rings is to eliminate the strangulation hazard caused by a free standing cord loop.



If the rings break away during normal use of the shade, they can be easily reattached.

PACKAGE CONTENTS

- One Roman Shade with attached head rail.
- One bead chain tensioning device
- One mounting bracket kit. Mounting bracket kit includes:



(3) three brackets and (6) six screws for shade sizes: 48"-72"

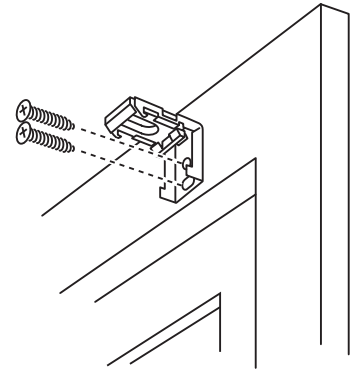
INSTALLATION

Bracket Location & Installation

Decide whether your shade will be mounted *outside* or *inside* the window frame.

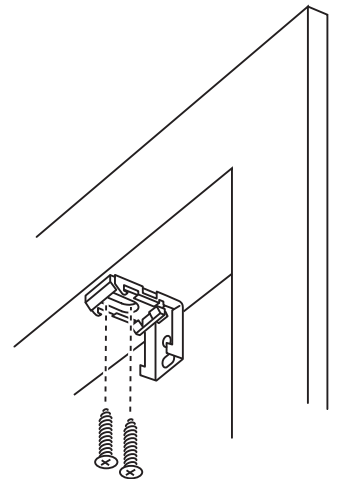
Outside Mount

Place shade bracket as shown, at least 3" inside where the end of the head rail will rest. Mark screw holes. Then screw bracket.* Repeat steps to install the second bracket at the other side of the window frame. For larger shades that require three brackets, the third bracket should be spaced evenly between the two outermost brackets.



Inside Mount

Place shade bracket as shown at least 3" inside where the end of the head rail will rest. Mark screw holes. Then screw bracket.* Repeat steps to install the second bracket at the other side of the window frame. For larger shades that require three brackets, the third bracket should be spaced evenly between the two outermost brackets.



*If installing brackets on hardwood window frames, we recommend pre-drilling screw holes.

Securing the head rail to the bracket:

Due to the width of these shades, we recommend two people hold the shade while securing the head rail.

- ① Hook the groove at the top of the head rail under the outer teeth of each bracket.
- ② Push the head rail toward the ceiling and the wall. The head rail should snap into place.
- ③ Secure safety guide to window frame or wall as shown above left.
- ④ To remove the head rail, depress the white button at the front of the bracket while pulling the head rail down and away from the wall.

CLEANING & IRONING

Use a feather duster or lightly vacuum the shade fabric with the soft brush attachment. To remove creases, use steam iron on medium heat.