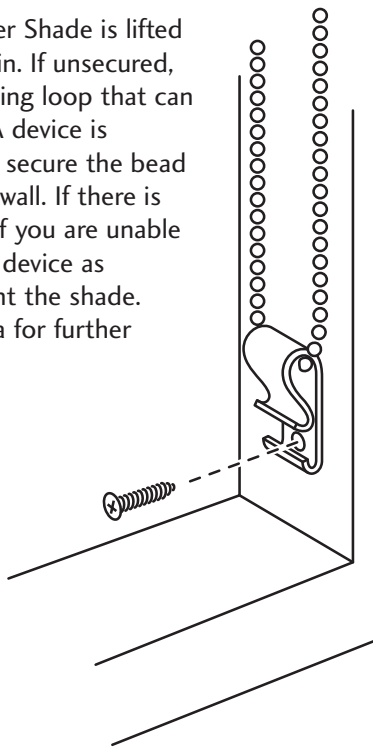




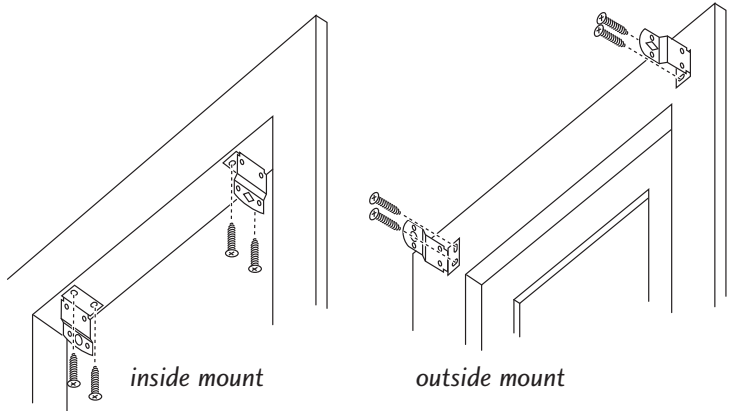
<b>⚠️ WARNING</b>	<b>⚠️ ADVERTENCIA</b>
<p>Young children can STRANGLE in cord and bead chain loops. They can also wrap cords around their necks and STRANGLE.</p> <ul style="list-style-type: none"> <li>Always keep cords and bead chains out of children's reach.</li> <li>Move cribs, playpens, and other furniture away from cords and bead chains. Children can climb furniture to get to cords.</li> <li>Attach tension device to wall or floor. This can prevent children from pulling cords and bead chains around their necks.</li> </ul>	<p>Los niños pequeños corren el riesgo de ESTRANGULARSE en los lazos de las cuerdas y cadenas. También se pueden envolver las cuerdas alrededor del cuello y ESTRANGULARSE.</p> <ul style="list-style-type: none"> <li>Mantenga siempre las cuerdas y cadenas fuera del alcance de los niños.</li> <li>Mueva las cunas, los corrales y otros muebles lejos de las cuerdas y cadenas. Los niños pueden subir a los muebles para llegar a las cuerdas.</li> <li>Coloque el dispositivo tensor en la pared o en el piso. Ello puede evitar que los niños estiren las cuerdas y cadenas, colocándose las alrededor del cuello.</li> </ul>

**CORD SAFETY:** Your Roller Shade is lifted and lowered using a bead chain. If unsecured, this bead chain is a free standing loop that can pose a strangulation hazard. A device is attached to the bead chain to secure the bead chain to the window frame or wall. If there is no cord tensioning device or if you are unable to mount the cord tensioning device as illustrated please do not mount the shade. Contact Green Mountain Vista for further instructions.



## INSTALLATION

Shade can be *inside* or *outside* mounted.



### Step 1:

Measure for bracket location: The space between the outer edge of the left side bracket and the outer edge of the right side bracket will be the same as the width listed on the package. The distance will be 34" if you purchased a 34" wide shade. Once you have measured and marked for bracket location, hold bracket to desired location and pre-drill screw holes.

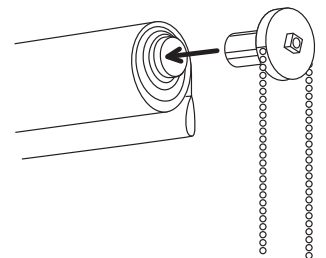
### Step 2:

Install brackets (inside or outside mount, as shown above). The bracket with the circular opening should be mounted on the left side. The bracket with the square opening should be mounted on the right side.

### Step 3:

Install clutch mechanism into the right hand side of the shade.

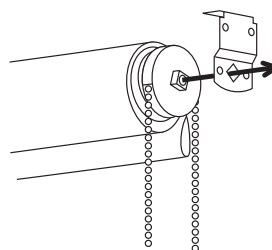
*Note: Clutch mechanism is preset with chain connector at top of chain. When clutch mechanism is inserted into the roller tube, shade should be completely rolled up and chain link should be at or close to this position to allow for maximum extension.*



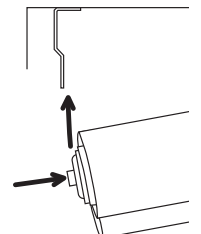
### Step 4:

Insert shade into brackets:

Making sure that the opening for the chain is facing downward, insert the square fitting into the mounted bracket on the right.



Depress the round fitting on the left side of the shade and slide into position on the mounted bracket on the left side. You will feel the left side click into place.



### Step 5:

Install chain tensioner (see CORD SAFETY).

## TOOLS NEEDED

Marking pencil, tape measure, drill

## PACKAGE CONTENTS

One Roller Shade

One hardware kit containing:

- One ball chain clutch mechanism with attached chain/safety guide
- One left side bracket with circular opening
- One right side bracket with square opening
- Five screws

