

**INSTALLATION  
AND CARE  
INSTRUCTIONS**

**Cordless  
Honeycomb Shade**



Green Mountain Vista

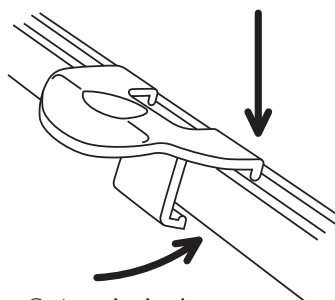
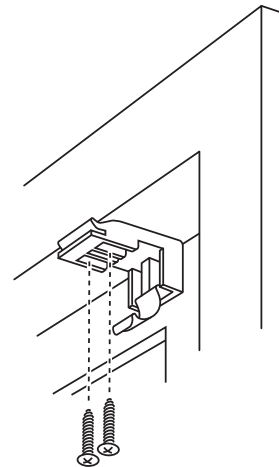


**INSTALLATION**

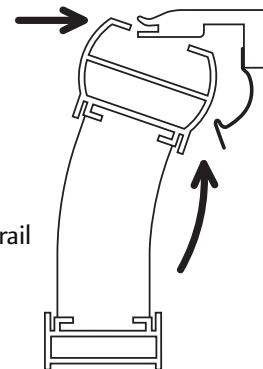
**Inside Mount**

Flush inside mount requires 2" depth.

① Mark location of brackets and screw to the window frame. The brackets should lie 3-4" from each end of where the shade will be installed.



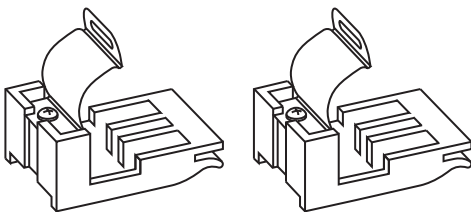
② Attach the bottom rail handle to the bottom rail of the shade.



③ Attach the headrail to the brackets as shown.

**PACKAGE CONTENTS**

- 2, 3, or 4 mounting brackets, depending on size
- 4 screws
- bottom rail handle for lifting and lowering shade



**TOOLS REQUIRED**

Phillips screw driver, pencil

**OPERATING AND CLEANING INSTRUCTIONS**

Always use the plastic handle to move the shade up and down. Avoid touching the fabric.

To clean the shade use a vacuum or feather duster.

**Outside Mount**

For maximum draft and light control the headrail should overlap each inside edge of the window by at least 1/2".

① Mark location of brackets and screw to the window frame. The brackets should lie 3-4" from each end of where the shade will be installed.

Follow steps 2 and 3 from above.

