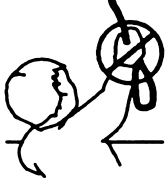


INSTALLATION AND CARE INSTRUCTIONS

Roman Shade

with Ball Chain Retractor

WARNING



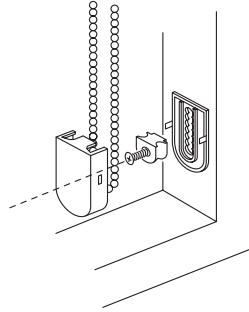
CHILDREN CAN STRANGLE IN WINDOW BLIND OR DRAPERY CORDS.

TO SECURE CORDS OUT OF REACH OF YOUR CHILDREN, USE THIS SUGGESTED METHOD:

SAFETY BOX

(Included in hardware kit)

ALWAYS ADJUST CORDS TO THE SHORTEST LENGTH POSSIBLE. PLACE CRIBS OR FURNITURE AWAY FROM WINDOWS TO HELP KEEP CHILDREN AT A SAFE DISTANCE FROM CORDS.



GETTING TO KNOW YOUR SHADE

Operation

Your new Roman Shade operates with a ball and chain retractor. Once properly installed, simply pull the chain to adjust to the desired position.

CLEANING

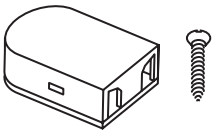
Use a feather duster or lightly vacuum the shade fabric with the soft brush attachment.

IRONING

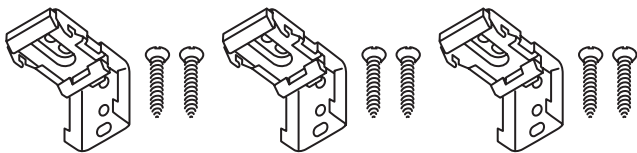
To remove creases, use steam iron on medium heat.

PACKAGE CONTENTS

- One Roman Shade with attached head rail.
- One safety box



- One mounting bracket kit. Mounting bracket kit includes:



(3) three brackets and (6) six screws for shade sizes: 48"–72"

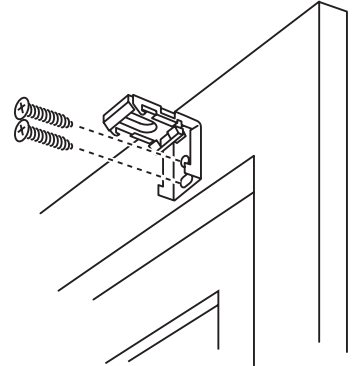
INSTALLATION

Bracket Location & Installation

Decide whether your shade will be mounted *outside* or *inside* the window frame.

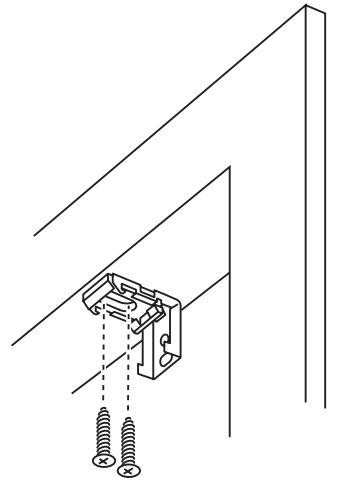
Outside Mount

Place shade bracket as shown, at least 3" inside where the end of the head rail will rest. Mark screw holes. Then screw bracket.* Repeat steps to install the second bracket at the other side of the window frame. For larger shades that require three brackets, the third bracket should be spaced evenly between the two outermost brackets.



Inside Mount

Place shade bracket as shown at least 3" inside where the end of the head rail will rest. Mark screw holes. Then screw bracket.* Repeat steps to install the second bracket at the other side of the window frame. For larger shades that require three brackets, the third bracket should be spaced evenly between the two outermost brackets.

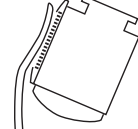


*If installing brackets on hardwood window frames, we recommend pre-drilling screw holes.

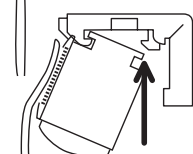
Securing the head rail to the bracket:

Due to the width of these shades, we recommend two people hold the shade while securing the head rail.

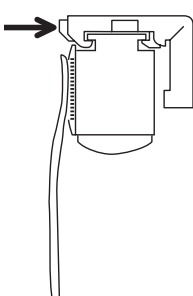
① Hook the groove at the top of the head rail under the outer teeth of each bracket.



② Push the head rail toward the ceiling and the wall. The head rail should snap into place.



③ To remove the head rail, depress the white button at the front of the bracket while pulling the head rail down and away from the wall.



Green Mountain Vista

Green Mountain Vista, Burlington, Vermont 05401
www.gmvista.com