

INSTALLATION AND CARE INSTRUCTIONS

Deluxe Woven Paper Roller Shade

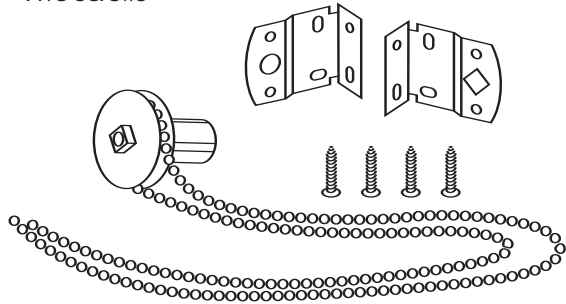
with continuous chain retractor

PACKAGE CONTENTS

One Roller Shade

One hardware kit containing:

- One ball chain clutch mechanism with attached chain/safety guide
- One left side bracket with circular opening
- One right side bracket with square opening
- Five screws

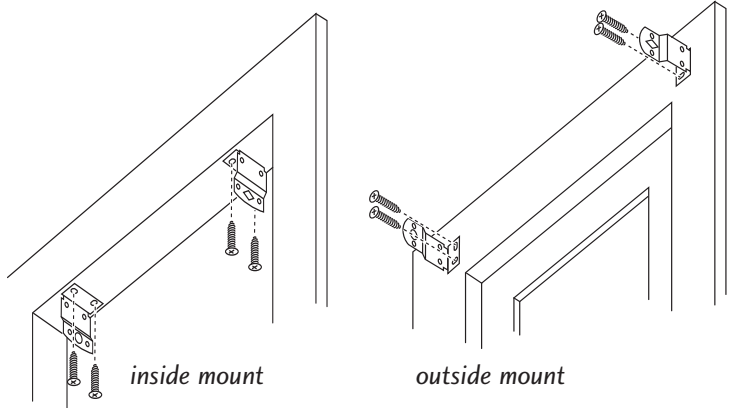


TOOLS NEEDED

Marking pencil, tape measure, drill

INSTALLATION

Shade can be *inside* or *outside* mounted.



Step 1:

Measure for bracket location: The space between the outer edge of the left side bracket and the outer edge of the right side bracket will be the same as the width listed on the package. The distance will be 34" if you purchased a 34" wide shade. Once you have measured and marked for bracket location, hold bracket to desired location and pre-drill screw holes.

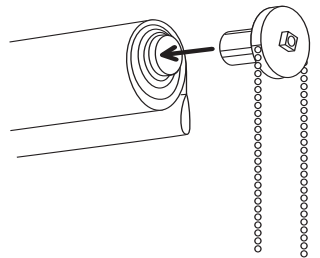
Step 2:

Install brackets (inside or outside mount, as shown above). The bracket with the circular opening should be mounted on the left side. The bracket with the square opening should be mounted on the right side.

Step 3:

Install clutch mechanism into the right hand side of the shade.

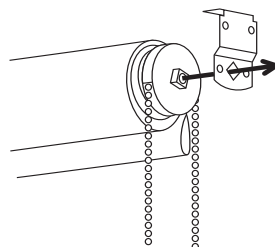
Note: Clutch mechanism is preset with chain connector at top of chain. When clutch mechanism is inserted into the roller tube, shade should be completely rolled up and chain link should be at or close to this position to allow for maximum extension.



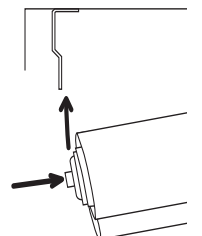
Step 4:

Insert shade into brackets:

Making sure that the opening for the chain is facing downward, insert the square fitting into the mounted bracket on the right.



Depress the round fitting on the left side of the shade and slide into position on the mounted bracket on the left side. You will feel the left side click into place.

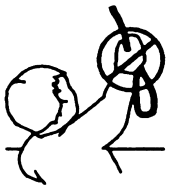


Step 5:

Install chain safety/guide: The pull chain on your roller shade is looped through a chain safety guide. By attaching the guide (see inset box, left), you will prevent the chain from hanging loosely in your window frame and also eliminate hazards created by loose shade cords (see warnings on packaging).



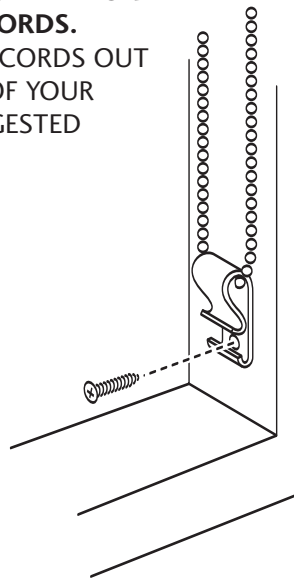
WARNING



CHILDREN CAN STRANGLE IN WINDOW BLIND OR DRAPERY CORDS. TO SECURE CORDS OUT OF REACH OF YOUR CHILDREN, USE THIS SUGGESTED METHOD:

SAFETY GUIDE
(Included in hardware kit)

ALWAYS ADJUST CORDS TO THE SHORTEST LENGTH POSSIBLE. PLACE CRIBS OR FURNITURE AWAY FROM WINDOWS TO HELP KEEP CHILDREN AT A SAFE DISTANCE FROM CORDS.



Attach the guide as shown to prevent the chain from hanging loosely in your window frame and to avoid hazards.



Green Mountain Vista

Green Mountain Vista, Burlington, Vermont 05401
www.gmvista.com