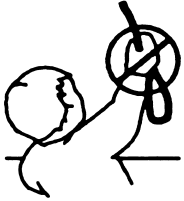


INSTALLATION AND CARE INSTRUCTIONS

Bamboo Roman Shade

WARNING



CHILDREN CAN STRANGLE IN WINDOW BLIND OR DRAPERY CORDS.
SECURE CORDS OUT OF REACH OF YOUR CHILDREN:

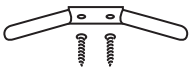
ALWAYS ADJUST CORDS TO THE SHORTEST LENGTH POSSIBLE. PLACE CRIBS OR FURNITURE AWAY FROM WINDOWS TO HELP KEEP CHILDREN AT A SAFE DISTANCE FROM CORDS.

CLEANING

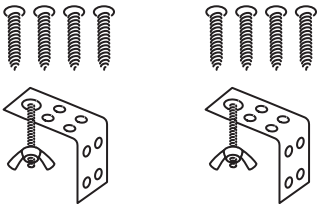
Use a feather duster or lightly vacuum the shade fabric with the soft brush attachment.

PACKAGE CONTENTS

- One cord cleat and two (2) screws for securing cords out of reach of children.



- One Roman Shade with attached head rail.
 - One mounting bracket kit.
- Mounting bracket kit includes:



(8) eight screws, (2) two brackets
two (2) bolts and two (2) wing nuts

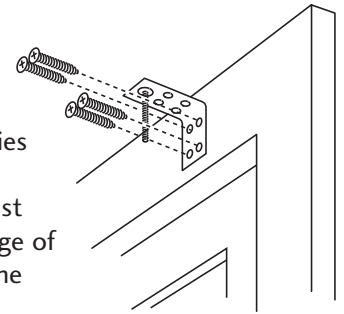
INSTALLATION

Bracket Location & Installation

Decide whether your shade will be mounted *outside* or *inside* the window frame.

Outside Mount

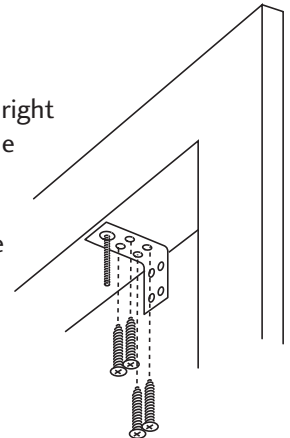
Mount Shade bracket as shown. The right hand bracket must be mounted so the right hand edge of the right bracket lies $\frac{1}{2}$ " inside the right edge of the shade. The left hand bracket must be mounted so the left hand edge of the left bracket lies $\frac{1}{2}$ " inside the left edge of the shade.



Pre drilling the screw holes is recommended.

Inside Mount

Mount Shade bracket as shown. The right hand bracket must be mounted so the right hand edge of the right bracket lies $\frac{1}{2}$ " inside the right edge of the shade. The left hand bracket must be mounted so the left hand edge of the left bracket lies $\frac{1}{2}$ " inside the left edge of the shade.



Pre drilling the screw holes is recommended.

Securing the headrail to the bracket:

While holding the headrail firmly in place, tighten the wing nuts securely to the bracket posts.

